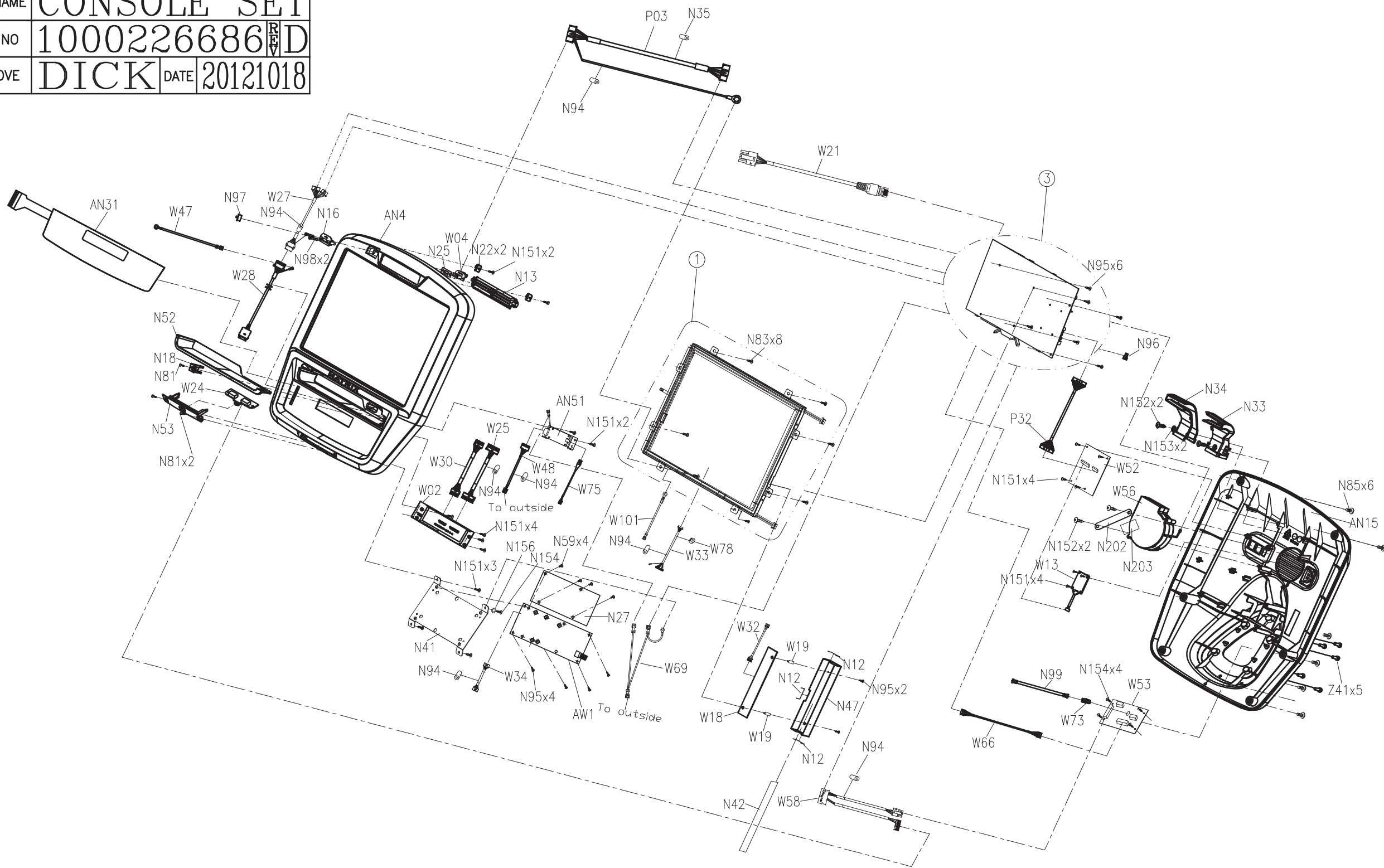
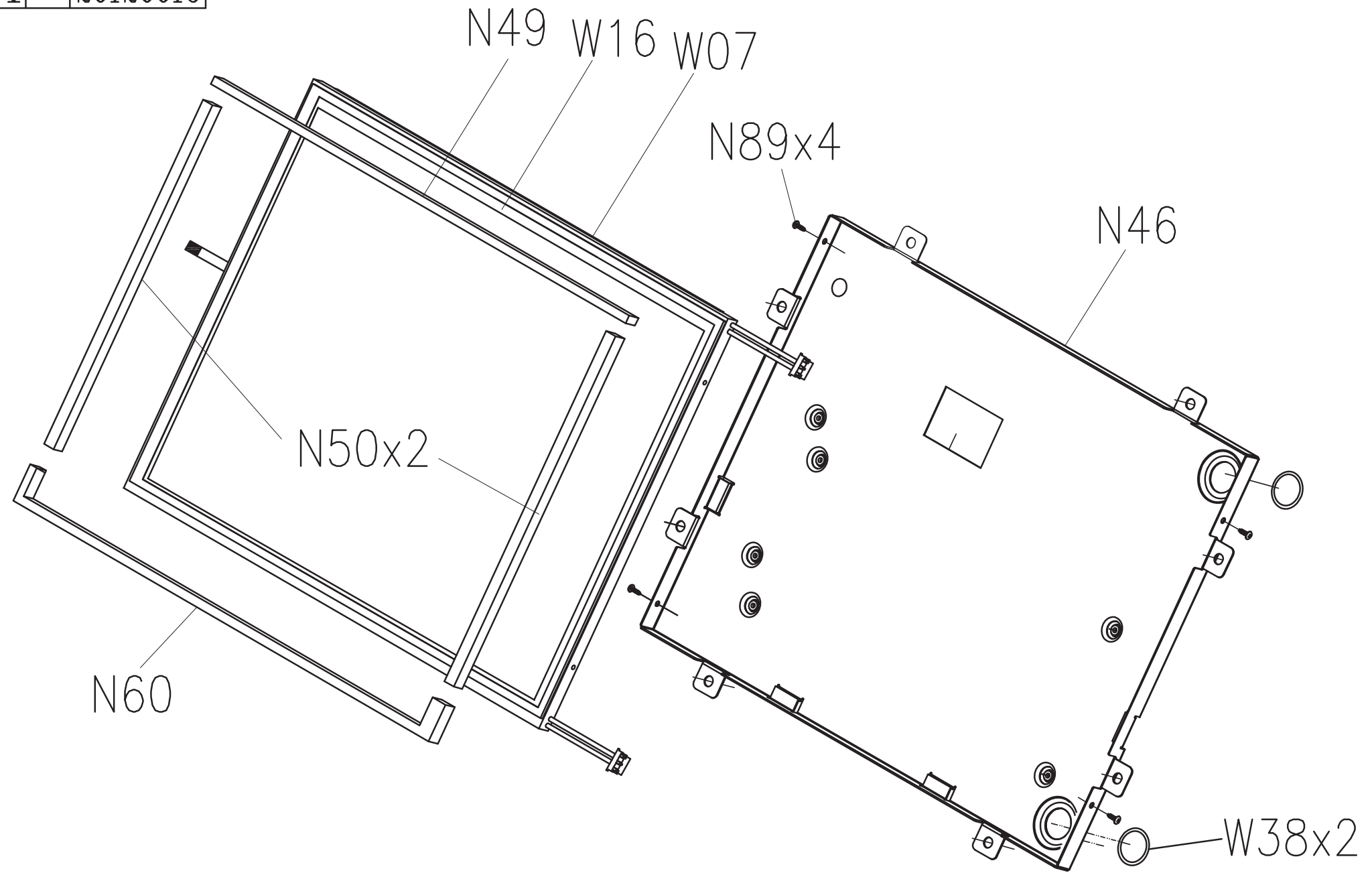


DRAWING NO	EP613-AN11		
PART NAME	CONSOLE SET		
PART NO	1000226686 <small>REV D</small>		
APPROVE	DICK	DATE	20121018

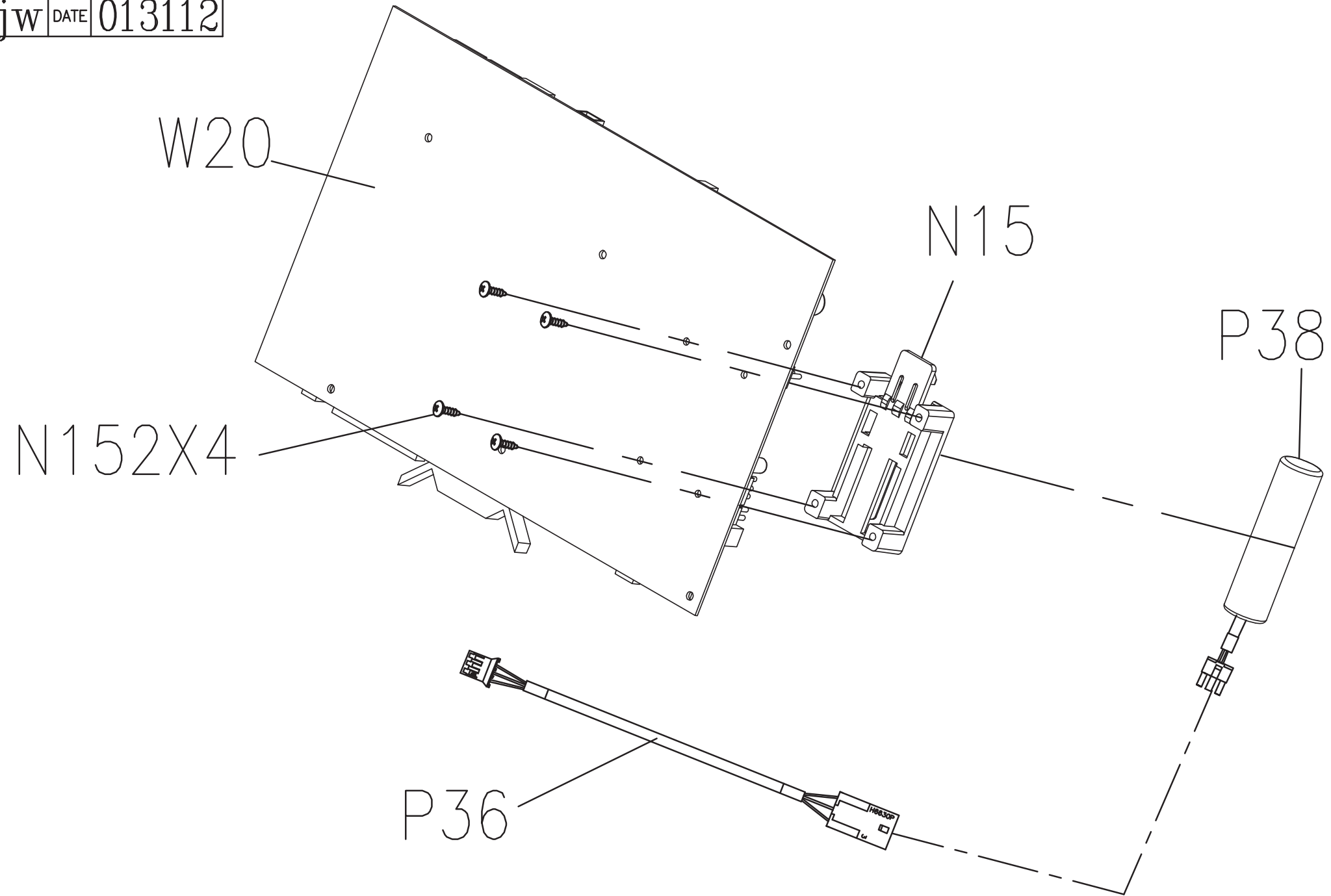
Click [here](#) for Wi-Fi kit parts.



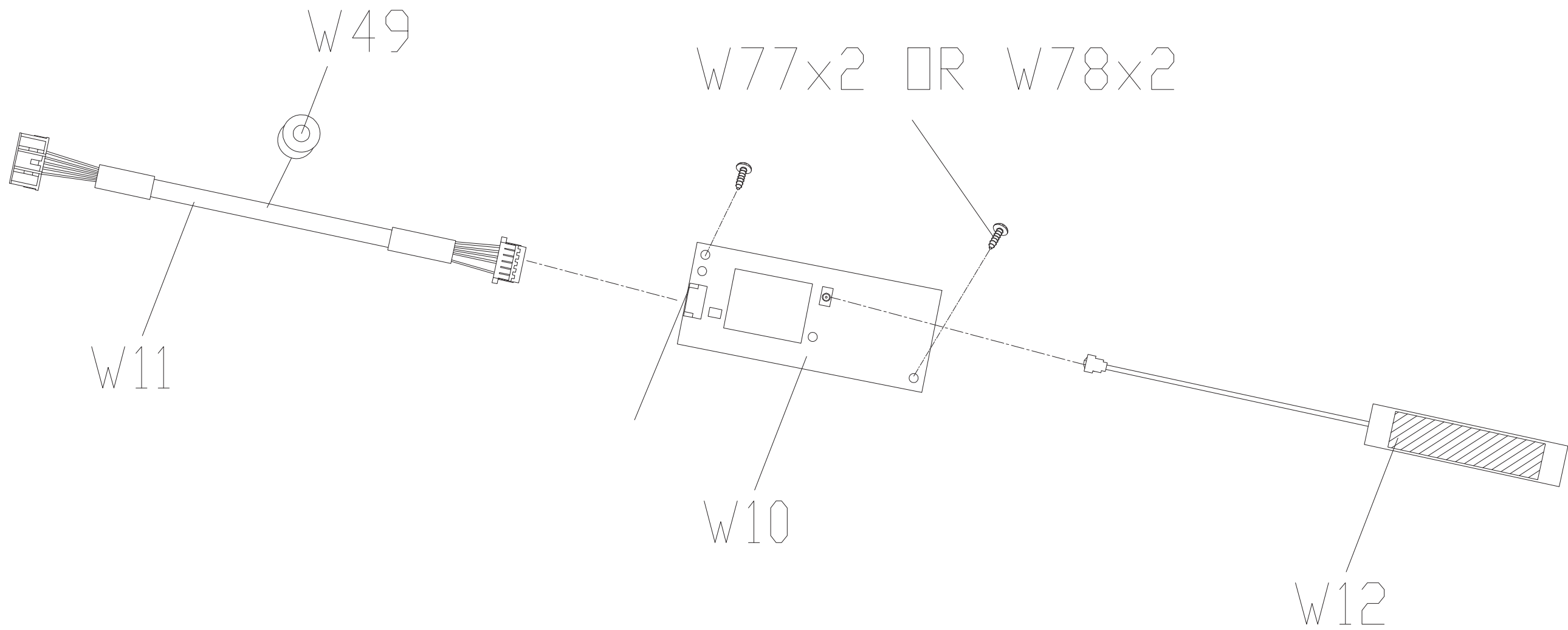
DRAWING NO	EP613-AW31		
PART NAME	PANEL BOARD SET;15 INCH TFT LCD		
PART NO	1000233262	REV	A
APPROVE	DICK	DATE	20120615



DRAWING NO	EP92F-AW32		
PART NAME	CONTROL BOARD SET		
PART NO	0000095289 REC		
APPROVE	Tsaijw	DATE	013112



DRAWING NO	EP91C-AN16		
PART NAME	WIFI MODULE MATERIEL SET		
PART NO	1000228300 <sup>R</sup> / <sub>E</sub> A		
APPROVE	SUNNY	DATE	123011





Bubble#	Part #	Description	Notes
AN15	1000208238	Cover;Console;Back;Printing;EP	
AN31	1000226689	Overlay Set;TV;-;English;EP613	
AN4	1000208248	Cover;Overlay;15 INCH;PR;OV;EP92F;	
AN51	1000208535	Heart Rate Board Set;SALUTRON 8600;EP93C;	
AW1	1000425274	Tuner Module;;;REV 2.0;S20170417;;;US for	
N12	0000089486	Bushing;KSS Moveable;KG-008;10M/Reel;	
N13	0000087056	Vent;Fan;ABS/PA-746;Pantone:877C;TM501;	
N15	1000208781	Plastic BASE;U;ABS/PA746;PA:60461;T7x-03	
N151	008864-A	Screw;Special;Round;2.9x1.06Px7L(Hi-Lo)	
N152	008866-A	Screw;Special;Round;4.0x1.34Px12L(Hi-Lo)	
N153	005157-A	Washer;Flat;4.3x12.0x1.0T;Black Zinc	
N154	008865-B	Screw;Special;Round;2.9x1.06Px12L(Hi-Lo)	
N156	005094-00	Washer;Flat;3.2x8.0x1.0T;Black Zinc	
N16	1000210553	USB;EP90B	
			Order this cover if a console uses an iPod cable. If the console's iPod cable has been removed, order the cover 0000093006.
N18	0000089261	Cover;IPOD Fixing;ABS/PA746;Deep Grey 80	
N202	0000092696	Fixing Plate;Fan;0.8t;T5x-02;	
N203	0000095575	Tape;Foam;One-Sided;50x15x1.5T;	
N22	1000216152	Fan ADJ Plate;SUS304;0.3t;T9000;	
N25	1000212322	Shim;Rubber;D;NBR;BLACK;TM507C;	
N33	0000086064	Cover;Console;Right;ABS/PA-746;BL;TM501;	
N34	0000086065	Cover;Console;Left;ABS/PA-746;BL;TM501;	
N35	067774-A	Power Cord;FH33.3x8.25x16.4(FH0900B);TM95	
N41	0000091621	Fix Plate;Tuner;MX-E7X-C;US;EP91	
N42	0000088888	insulation Plate;INVETER;PC;8B35;3M-467;	
N46	1000233231	FIXING PLATE;15 INCH;SPCC;0.8t;T-7xe-04-	
N47	0000086533	Bracket;Isolation Board Cover;0.6t;TM503	
N52	0000088790	Anti-Slippery Pad;TPR+30%PP;BL;MX-E5XC-F	
N53	0000089506	TV Earphone Wire Cover;ABS/PA746;80435	
N59	004321-00	Screw;Round;PH;M4 x 0.7P x 10L	
N81	0000088743	Screw;TRH;M3x.5Px6L;MT;PH;CST;ZNC;F-T	
N83	004627-00	Screw;Phillip;BH;Tapped;5x12L	

N85	004385-00	Screw;BH;M5X0.8PX12L;;PH;;BAN;;
N89	020005-00	Screw;Phillip;Round;M3x6L;;Zn-BL
N94	003383-A	Ferrite Choke;FH0900B-2;Lian Ci;TM38
N95	020005-00	Screw;Phillip;Round;M3x6L;;Zn-BL
N96	1000201693	Exchange connector ; KST DWTSFSOLR;
N97	0000083278	USB Cover;USB-03
N98	1000211294	Screw;FH;M3X0.5PX30L;-;PH;BZN;
N99	069851	Console TV Cable Extended Wire;250L(FM-0086-N

After removing the iPod cable, customers may use this plug to seal the hole that is left on the console. Trim the plug to the correct size after fitting in hole. Note: customers may use either the plug or the iPod eliminator cover (0000093006).  
Coax adapter for tuner.

Not Shown	ZMS4004742	Silicon Plug, 0.25"0.125"0.75" Black
Not Shown	1000369229	TV Signal Connector;PAL MALE TO F FEMALE

Per customer request. Note: Cover removes the options for iPod connectivity. To install, disconnect and remove iPod cable from console and conceal input with cover.

Not Shown	0000093006	Cover;IPOD Fixing;ABS/PA746;80435;MX-E5X
Not Shown	0000094425	Power Cord Set;3000;18AWG
P03	1000232817	USB Wire;-;-;500+550;(JST XAP-06V-1X2+KS
P32	1000206777	C Safe+TV Connect Wire;200(TKP H20J2-15x
P36	1000207108	Battery Con Wire;200(TKP H110-03S+TKP H6
W02	0000089691	TV Control Board Set;TM503;T7xe;
W04	0000095231	Control Board;USB;H001;U105A5;EP603;
W101	0000081594	Pulse Wire;150(FDFNYD2-250-1+546BS-2);TM
W11	1000217073	Wire;CONNECT;WIFI;200(JS-1253-06+JST,XAP
W12	1000216927	WIFI Antenna;250(WPB105 MINI 1.13 2.4GHz
W13	0000086684	Speaker Set;AK-402808BC-3T+280+XAP-02;TM
W18	1000208207	Inverter Board Set;TM503;T7xe;
W19	010515-00	Copper Pillar;M3x12L
W20	1000410715	REFURB - PCB;;;Second hand;;;EP613(7xe);
W20	1000410715	REFURB - PCB;;;Second hand;;;EP613(7xe);
W21	1000217094	Wire;NET;550(TKP,H6630R1-08AMP 569532)

W24	<b>1000366515</b>	Earphone board set;;;EP620;
W24/W58	<b>1000404540</b>	Earphone board set;;;Earphone board set
W25	0000091027	LCM Wire;130L(H6630R1-18)x2
W27	1000231080	Wire;Ipod;550(JST XADR-16+PAP-06/-10);T7
W28	<b>1000353342</b>	Ipod Extend Wire;;;300(MF1512S0017+JA
W30	0000091028	TV Key Wire;160L(H6630R1-14)x2
W32	0000085779	Wire;Inverter;310(TKP-H110-05+PAP-04V-S)
W33	0000085415	LVDS Wire;15 Inch TFT LCD;410(HRS DF14H-20P+D
W34	0000089108	Wire;Tuner Signal;JST PAP-12;T7x-01;
W38	0000086852	Rubber Ring;GM-5
W47	1000232274	GND;-;-;Yellow/Green1;I-POD;18AWG;200mm;
W48	0000089849	Wire;Hand Pulse Sensor;350L(2510A-06,TKP
W49	0000090551	Ferrite Choke;FH0850B;T7xe;
W52	0000095247	C-Safe;E LEAD;3P00DMJE001-0A;EP92F;
W53	1000229467	CONSOLE CONTROL BOARD;H001;COATING;EP611
W56	061339-B	Fan;DC12V/0.3A PMB1297PYB3-AY;EP70
W66	<b>1000206779</b>	Console Cable;250(MOLEX,50-57-9408+MOLEX,
W69	1000224836	CONSOLE GND WIRE;130+220(KST,DFDNYD2-250
W73	065248-A	TV Coax Adaptor;Female;F-A028-NBX7-C
W75	0000092217	Heart Rate Power Wire;250L(2510A-03+XAP-
W77	0000086721	SCREW;RND;M2X0.5PX6L;;PH;;BZN;;
W78	040828-00	SCREW;BH;M6X1.0PX25L;;HS;;BOX;;
Z41	0000087672	Screw;Hex Socket;Round;M5x0.8Px8L
3	Not Available	Control Board
W07	Part of Kit 1	CONTROL BOARD;PANEL#0;TM503F
W16	Part of Kit 1	BACKLIGHT PANEL;TOUCH PANEL;
1	<b>1000233262</b>	Panel Board Set;15 inch;-;-;TFT LCD;EP61
AW1	<b>1000232091</b>	Tuner module set
N27	1000226528	Fixing Plate;TUNER;SECC;1.0t;TM521;

Earphone board + cover. Only send this part if the customer has the upgraded, 9-pin connecting wire. See service bulletin "Earphone Board Update". Kit that includes W24 and W58. See service bulletin "Earphone Board Update".

Third generation cable.

Order W20 instead.

Discontinued - See service bulletin "Panel Board Replacement - Swap LAM to Android Console".

Discontinued

Discontinued

N49	0000087846	Foam;Overlay;1;315.5x4.0x1.0t;Rubber/BL;\ D/C, NO REF	Discontinued
N50	0000087847	Foam;Overlay;2;230.5x4.0x1.0t;Rubber/BL;\ D/C, NO REF	Discontinued
N60	0000087848	Foam;Overlay;3;323.5x4.0x1.0t;Rubber/BL;\ D/C, NO REF	Discontinued
P38	1000207104	LI BATTERY;2200MA/H;EP606;\ D/C, NO REPL: Part will sl	Discontinued
W10	1000216928	Control Board;WIFI MODULE Set;LR802UKN3;// D/C, NO F	Discontinued
W20	1000323618	NEW - Control Board Set;LMM;;;EP613;;	Discontinued
W24	0000094434	Ear Phone Board Set	Discontinued
W24	1000363348	Earphone board set;;;Service for mainten	Discontinued
W24	1000365782	Earphone board set;;;EP91;;	
W28	1000346760	Ipod Extend Wire;;;;;;180(APPLE MFI5120	Discontinued - Replaced with third generation cable
W58	1000230082	QUICKLY CONNET WIRE;200+250(TKP,H254M2-2	
W79	005825-00	Wrapping Tape;KS-10;WH;	Discontinued